



KTET-75-1-SCP-DIM-AL	
Transformer Type	Electronic
Lamp Connection	Parallel
Input Voltage	120Vac ± 10%
Input Frequency	60Hz

ELECTRICAL SPECIFICATIONS:

Lamp Type	Input Watts	Input Current (Amps)	Power Factor	Output Voltage
12V Halogen Lamps	72	0.62	0.976	11.2

PERFORMANCE:

- Minimum Starting Temperature: 0°F, -18°C
- Maximum Case Temperature: 167°F, 75°C
- Transient Protection meets ANSI/IEEE C62.41 Cat. A
- With Short Circuit Protection
- Dimmable
- 3-Year Warranty

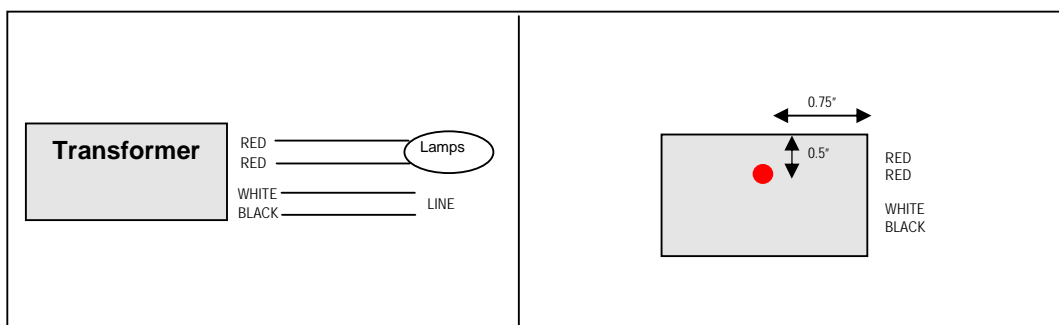
APPROVALS:

- RU, cRU

PHYSICAL DIMENSIONS:

Length (L):	2.08"	
Width (W):	1.30"	
Height (H):	0.79"	
Lead Length:		
White, Black	8"	
Red	6"	
Case material:	Metal	

WIRING DIAGRAM:



KEYSTONE TECHNOLOGIES LLC.
 P.O. Box 246, AMBLER, PENNSYLVANIA 19002
 PHONE: 215-283-2600
 FAX: 215-628-4412
 INFO@KEYSTONEBALLAST.COM
 WWW.KEYSTONEBALLAST.COM