

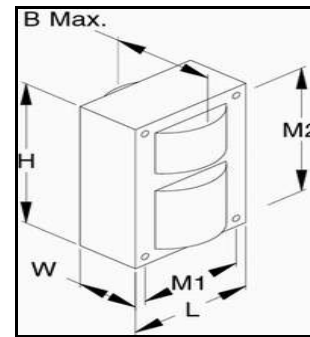
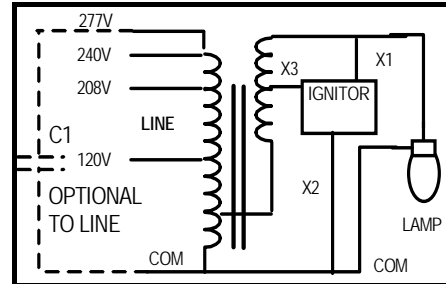


Catalog #	HPS-70X-Q
Type:	70W High Pressure Sodium
Voltage:	Quad (120/208/240/277)

General Information

Lamp Type	70W HPS
ANSI Designation	S62
Line Voltage (V)	120/208/240/277
Regulation	5%
Frequency (Hz)	60
Recommended Fuse (A)	5/3/3/2
Circuit Type	HX-HPF
Insulation Class	180°C
Capacitor Value	7 MF
Capacitor Voltage Rating	280 V
Cap. Temp. Rating	90°C
Winding Materials (Pri/Sec)	Cu/Cu
Lamp Starter	XG-01
Agency Certification	RU, cRU
Maximum Distance to Lamp	10 FT

Diagrams



Electrical Characteristics

Line Volt (V)	Power Factor	Line Current (A)			Input Power (W)	Open Circuit Voltage (V)	Min Start Temp.	UL Temp. Code
		Operating	Open	Start				
120	High	0.82	1.35	0.78	93	124	-40°C	A
208	High	0.47	0.79	0.52	93	124	-40°C	A
240	High	0.41	0.68	0.40	93	124	-40°C	A
277	High	0.35	0.60	0.36	93	124	-40°C	A

Physical Characteristics

Overall Dimensions (Inches)				Mounting Holes (Inches)			Bracket Dimension (Inches)		Ballast Net Weight (KG)	Lead Length (Inches)
Length	Width	Height	B max.	Diameter	M1	M2	Length	Width		
2.80	1.54	3.94	2.91	0.25	2.44	3.50	5.5	1.25	2.15	12-14

KEYSTONE TECHNOLOGIES LLC.
 P.O. Box 246, AMBLER, PENNSYLVANIA 19002
 PHONE: 215-283-2600
 FAX: 215-628-4412
 INFO@KEYSTONEBALLAST.COM
 WWW.KEYSTONEBALLAST.COM